

AQUASPEC[®] FAUCETS

MODEL - Z84300 SERIES
SINK FAUCET



TECHNICAL INFORMATION

MAXIMUM PRESSURE: 125 PSI
MAXIMUM TEMPERATURE: 180° F
HANDLE NUT TORQUE: 15-20 FT - LBS.
CARTRIDGE STYLE: QUARTER TURN CERAMIC DISK

INSTALLATION INSTRUCTIONS

1. 1/2" IP NIPPLE SHOULD PROTRUDE 3/8" FROM THE FINISHED WALL ON 8" CENTERS. SUPPLY PIPES SHOULD BE SECURED TO SUPPORT THE FAUCET.
 2. APPLY PIPE SEALANT TO 1/2" THREADS OF SUPPLY PIPE AND SCREW SUPPLY ARM ASSEMBLY (ITEM #5) ONTO PIPE. POSITION SUPPLIES SO THAT THE BODY CONNECTIONS END UP AT 8" CENTERS ON A HORIZONTAL PLANE.
 3. INSERT SINK FAUCET BODY (ITEM #4) TO SUPPLY ARMS PLACING GASKET (ITEM #5A) BETWEEN BODY AND SUPPLY ARM.
 4. ASSEMBLE SPOUT TO BODY USING HARDWARE.
 5. INSTALL WALL BRACE BY SCREWING THE SUPPORT ROD INTO THE THREADED SPOUT CONNECTION. ADJUST THE SUPPORT ROD TO DESIRED LENGTH AND SECURE TO FINISHED WALL USING THE TWO WOOD SCREWS PROVIDED.

NOTE: SUPPORT FOR FINISHED WALL IS RECOMMENDED WHERE WALL BRACE MOUNTS FOR MAXIMUM SUPPORT.
 6. TURN WATER SUPPLY ON AND OPERATE FAUCET CHECKING FOR LEAKS.
 7. IT MAY BE NECESSARY TO SHUT WATER OFF AND REMOVE CARTRIDGES TO CLEAN SUPPLY LINES. CARTRIDGES CAN BE REMOVED BY FIRST REMOVING THE HANDLES. COLOR INDEXES CAN BE REMOVED BY INSERTING A PIN INTO THE HOLE ON THE UNDERSIDE OF THE HANDLE. AFTER THE HANDLES HAVE BEEN REMOVED UNSCREW THE HANDLE NUTS AND PULL OUT ON THE CARTRIDGE. ZURN WILL SUPPLY HANDLE PORT PLUGS (ZURN PART #61094001) AT YOUR REQUEST.
 8. REPLACE CARTRIDGES IN BODY AND HAND TIGHTEN HANDLE NUTS. PLACE HANDLES ON THE CARTRIDGE STEM AND LOCATE THEM AS DESIRED. TIGHTEN HANDLE NUTS.
 9. REPLACE HANDLE SCREWS AND COLOR INDEX BUTTON.
 10. IF NECESSARY, INSTALL AERATOR INTO SPOUT AND HAND TIGHTEN. IT MAY BE NECESSARY TO UNSCREW AND CLEAN AERATOR AT START-UP.
-

CAUTION-FOR INSTALLATION WITH ATMOSPHERIC VACUUM BREAKERS (AVB'S). THIS DEVICE SHOULD NEVER BE USED IN INSTALLATIONS THAT ARE UNDER CONTINUOUS PRESSURE WHEN INSTALLED WITH SPOUTS HAVING ATMOSPHERIC VACUUM BREAKERS (AVB'S). THEREFORE, NEVER PLACE A SELF-CLOSING, SHUT-OFF VALVE DOWN-STREAM OF AN AVB.

SERVICE INSTRUCTIONS

1. YOUR ZURNAQUASPEC FAUCET IS FURNISHED WITH INTEGRAL SUPPLY STOPS (ITEM #4B) TO PROVIDE A COMPLETE SHUT OFF OF THE WATER SUPPLY. TURN SCREW STOPS INTO BODY USING 5/16" HEX KEY WRENCH UNTIL WATER SHUTS OFF COMPLETELY. TURN STOP NO MORE THAN THREE (3) COMPLETE TURNS TO ACTIVATE WATER FLOW.

MAINTENANCE

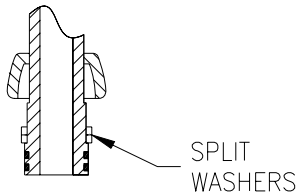
1. YOUR ZURN AQUASPEC FAUCET HAS A HIGHLY POLISHED NICKEL CHROME PLATED FINISH. CLEAN WITH SOAP AND WATER OR A MILD CLEANER WHICH IS SAFE FOR CHROME PLATING. DO NOT USE ACIDS OR TOILET BOWL CLEANER AS THEY WILL DAMAGE THE FINISH.
2. AQUASPEC FAUCETS CONTAIN CERAMIC DISK CARTRIDGES WHICH REQUIRE NO MAINTENANCE. TO REMOVE THE CARTRIDGE, SHUT THE WATER OFF, LOOSEN THE HANDLE NUTS AND PULL UP ON THE CARTRIDGE.

REPLACEMENT PARTS

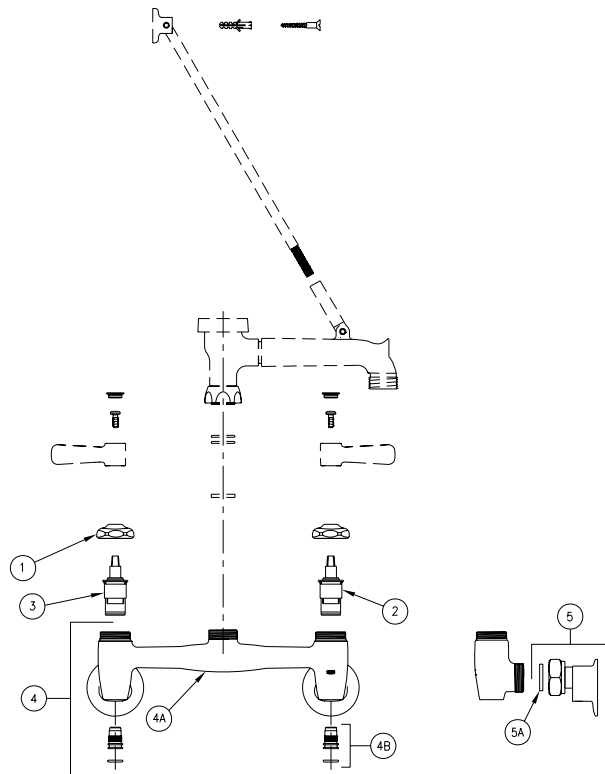
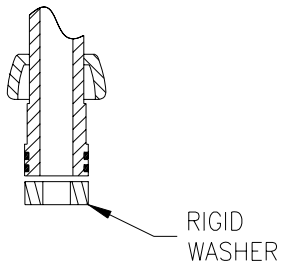
COLD WATER CARTRIDGE	59517001
HOT WATER CARTRIDGE	59517002
INDEX BUTTONS	G60500
STOP PLUG ASSEMBLY	G67807

Z843M1 PICTURED

SWING SPOUT CONFIGURATION



RIGID SPOUT CONFIGURATION



Z84300 PARTS LIST

ITEM	QTY	ITEM	QTY
1	59440001	HANDLE NUT	2
2	59517001	SHORT COLD CARTRIDGE	1
3	59517002	SHORT HOT CARTRIDGE	1
4	66168001	SINK BODY ASSEMBLY	1
4A	66156001	SINK BODY	1
4B	G67807	STOP PLUG ASSEMBLY	2
	59536002	STOP PLUG	1
	58155013	O-RING	1
5	G65336	SHORT SUPPLY ARM ASS'Y.	2
5A	59748001	GASKET	2